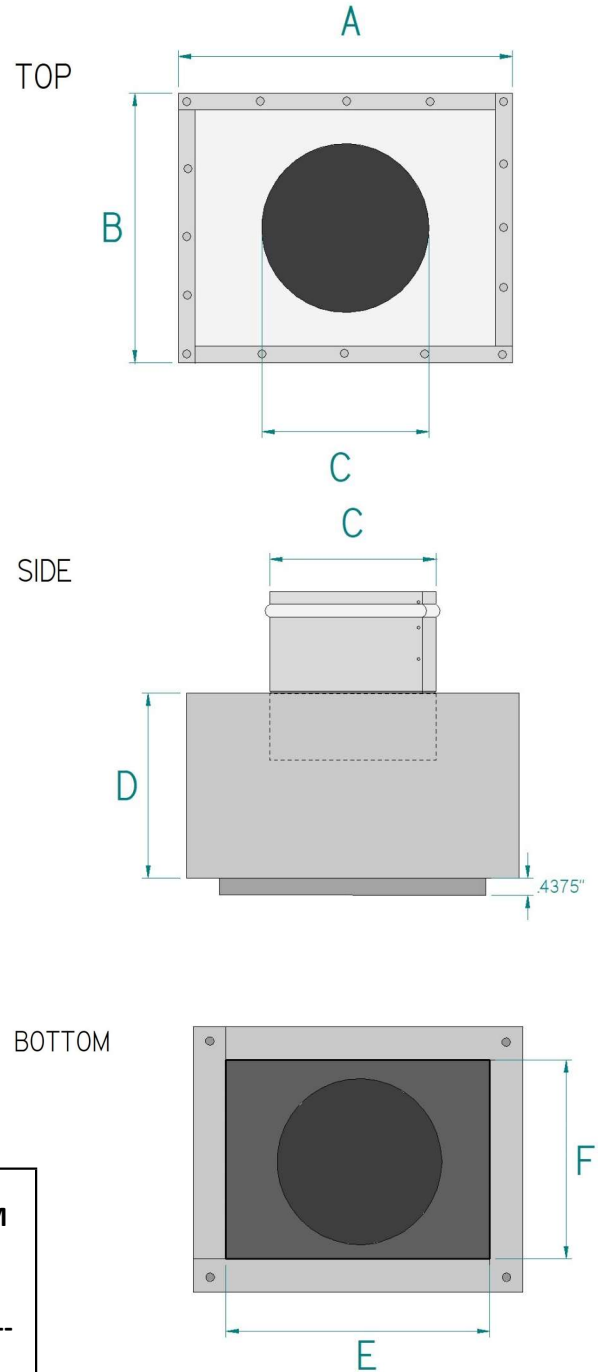




## TOP TAP BOXES

### A2900 SERIES / NO FLANGE

PART #	Desc.	GA.	A	B	C	D	E	F
A2901	6X6X5	30	8	8	5	5.50"	6	6
A2902	8X4X5	30	10	10	5	5.50"	8	4
A2903	8X8X6	30	10	10	6	5.50"	8	8
A2904	8X8X7	30	10	10	7	5.50"	8	8
A2905	8X8X8	30	10	10	8	5.50"	8	8
A2906	10X6X5	30	12	8	5	5.50"	10	6
A2907	10X6X6	30	12	8	6	5.50"	10	6
A2908	10X6X7	30	12	8	7	5.50"	10	6
A2909	10X10X7	30	12	12	7	5.50"	10	10
A2910	10X10X8	30	12	12	8	5.50"	10	10
A2911	12X6X6	30	14	8	6	5.50"	12	6
A2912	12X6X7	30	14	8	7	5.50"	12	6
A2913	12X8X8	30	14	10	8	5.50"	12	8
A2914	12X12X8	30	14	14	8	5.50"	12	12
A2915	12X12X9	30	14	14	9	5.50"	12	12
A2916	12X12X10	30	14	14	10	5.50"	12	12
A2917	14X6X8	30	16	8	8	5.50"	14	6
A2918	14X14X10	30	16	16	10	5.50"	14	14
A2919	6X6X6	30	8	8	6	5.50"	6	6
A2920	8X6X6	30	10	8	6	5.50"	8	6
A2921	10X8X6	30	12	10	6	5.50"	10	8
A2922	10X10X9	30	12	12	9	5.50"	10	10
A2923	10X10X10	30	12	12	10	5.50"	10	10
A2924	12X6X8	30	14	8	8	5.50"	12	6
A2925	14X6X7	30	16	8	7	5.50"	14	6
A2926	14X8X9	30	16	10	9	5.50"	14	8
A2927	12X12X12	30	14	14	12	5.50"	12	12
A2928	14X14X9	30	16	16	9	5.50"	14	14
A2929	14X14X12	30	16	16	12	5.50"	14	14



**NOTES:**

All TOP AND NO TAP BOXES CAN ALSO BE ORDERED WITH A BOTTOM FLANGE. THESE WILL HAVE A 1 INCH FLANGE ON ALL FOUR SIDES AT THE BOTTOM OF THE BOX

-----  
 A2900 SERIES COME WITH R4 1 INCH INSULATION