

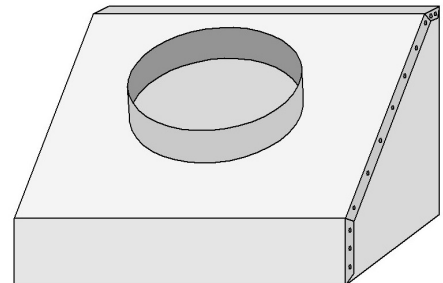
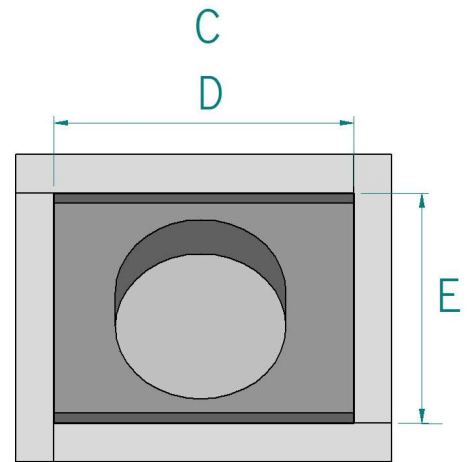
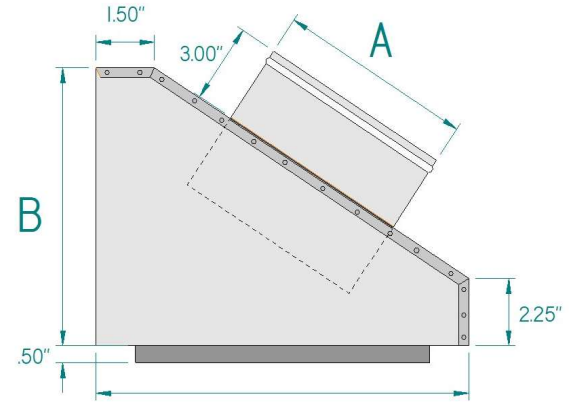


Joval
MFG. CO., INC.
 Ph. 504-835-7247
 Fax 504-835-6586
 www.joval.com

SLANT TOP BOX

A5200/A5300 SERIES

PART #	Desc.	GA.	A	B	C	D	E	Insulation
A5202	8X4X5	30	5		6	8	4	R4
A5207	10X6X6	30	6		8	10	6	R4
A5212	12X6X7	30	7		8	12	6	R4
A5217	14X6X8	30	8		8	14	6	R4
A5224	12X6X8	30	8		8	12	6	R4
A5302	8X4X5	30	5		6	8	4	R6
A5307	10X6X6	30	6		8	10	6	R6
A5312	12X6X7	30	7		8	12	6	R6
A5313	14X6X8	30	8		8	14	6	R6
A5317	12X6X8	30	8		8	12	6	R6
A5324	14X6X8	30	8		8	14	6	R6



NOTES:

ALL SLANT TOP BOXES ARE ON A FIXED 30 DEGREE ANGLE

 ALL 5200 SERIES COME WITH R4 1 INCH INSULATION
 ALL 5300 SERIES COME WITH R6 1-1/2 INCH INSULATION